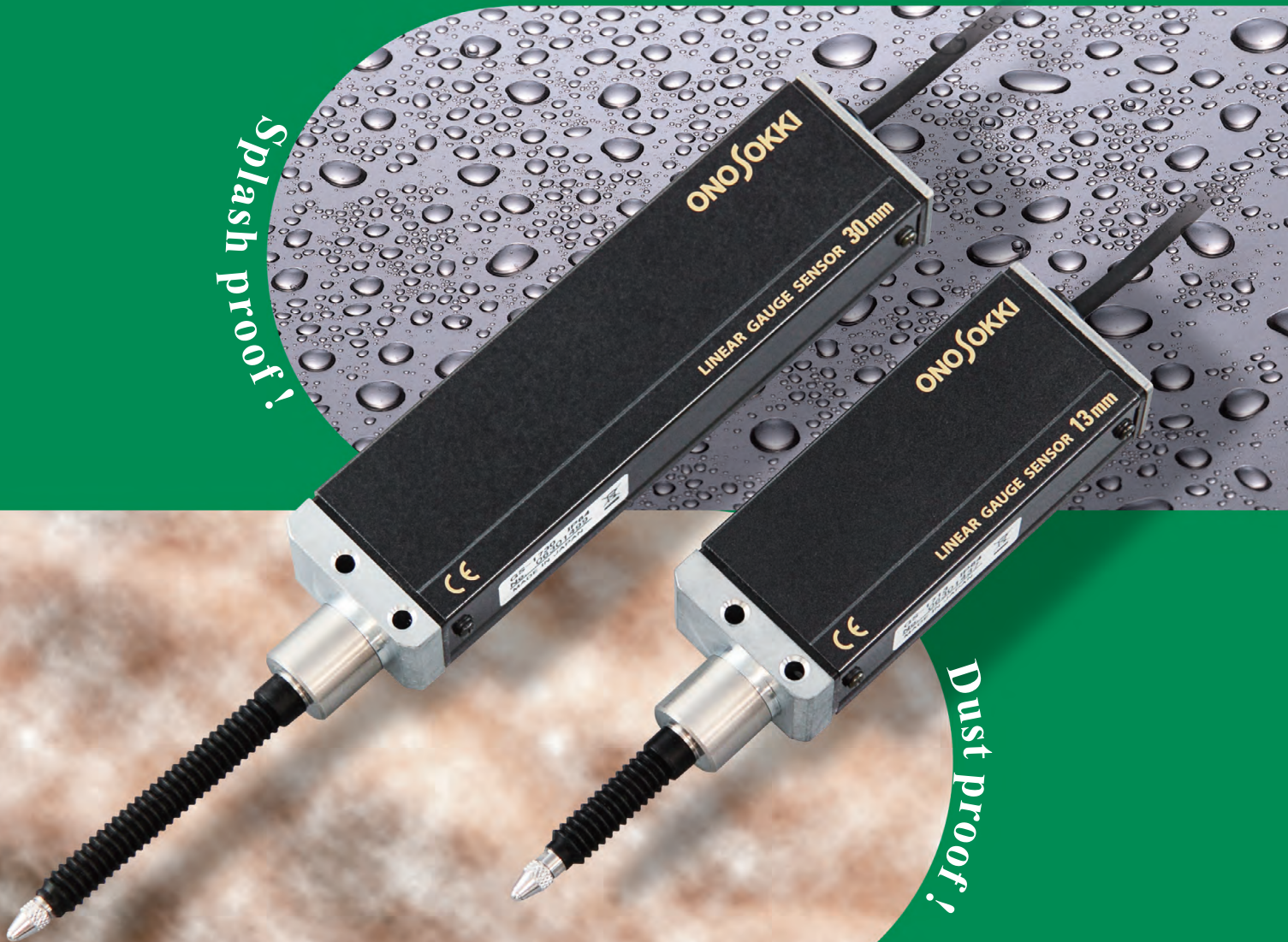


Digital Linear Gauge

GS-1713/1730 (10 μ m resolution)

GS-1813/1830 (1 μ m resolution)

Splash proof!



Dust proof!

Introducing compact and lightweight digital linear gauges that are easily installed in current production equipment. With a dust-proof and splash-proof structure that conforms to protection class IP64, the gauges can withstand harsh environments. Suitable for use in dusty environments and areas subject to drips and splashes. Endurance testing shows all models may be used beyond 6.5 million sliding times. We have achieved high accuracy without sacrificing durability.

ONOSOKKI

Optimal for work in production lines

Dust and splash proof

New standard of linear gauge sensors

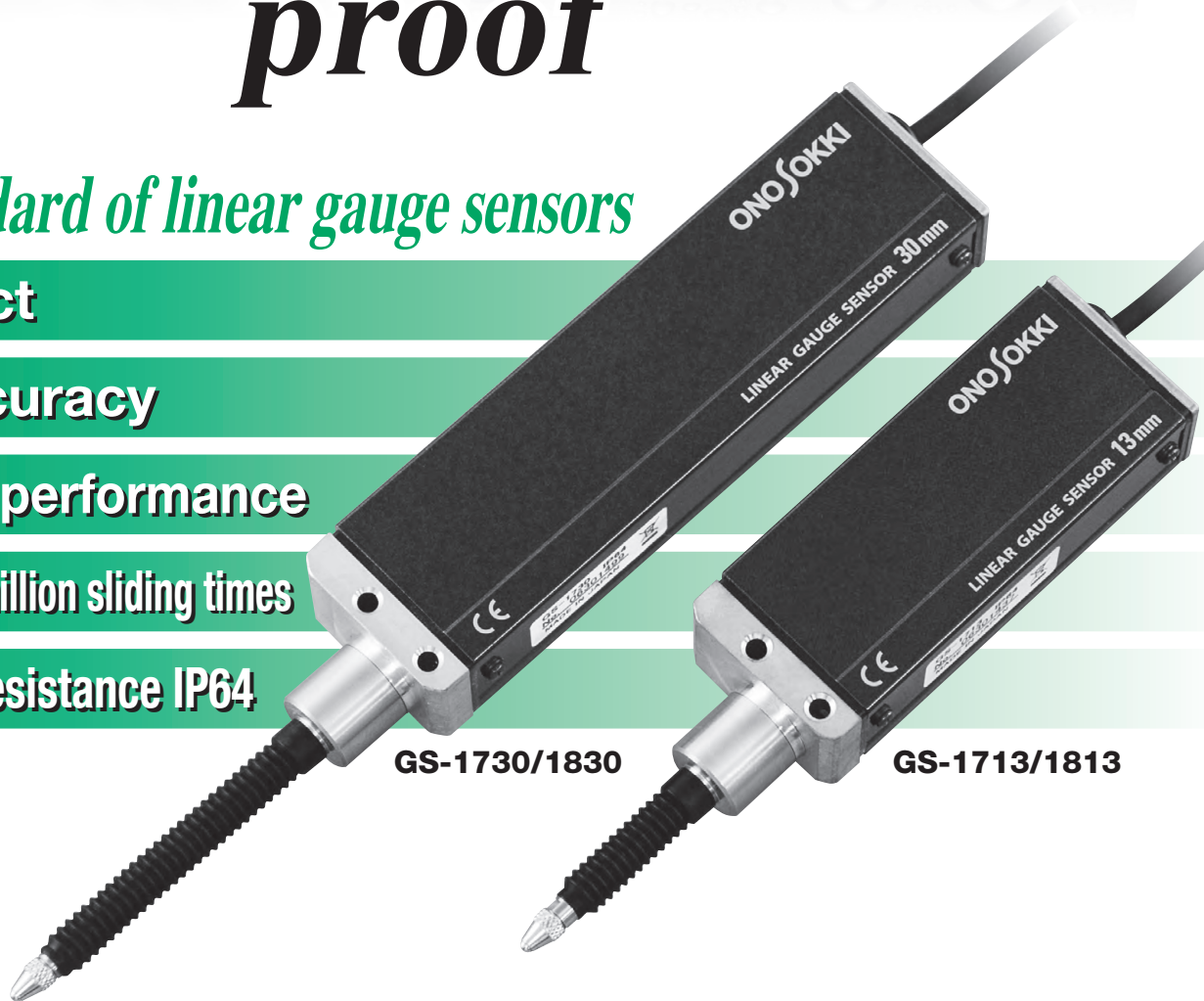
Compact

High accuracy

High cost performance

More than 6.5 million sliding times

Environment resistance IP64



GS-1730/1830

GS-1713/1813

Features

- All models are dust and splash proof conforming to the protection class IP64 of environmental resistance.
- Compatible with all of our gauge counters.
- Can be connected to a PLC* using 2-phase square wave output signal.

*PLC: Programmable Logic Controller

Compatible digital counters

DG-4140

Comparator output
(BCD, Color backlight)



DG-4190

Comparator output
(Analog, Color backlight)



DG-4120

BCD output



DG-4240

Comparator output
(Upper & Lower)



DG-4280

Comparator output
(4-preset)



DG-2310

2ch with multi function



Specification

● Mechanical specification

Item	GS-1713	GS-1730	GS-1813	GS-1830
Measurement range	13mm	30mm	13mm	30mm
Resolution	10μm		1μm	
Accuracy (+20°C)	3μm		2μm	3μm
Maximum spindle velocity*1	1 (4) m/s		0.3 (1.2) m/s	
Measurement force*2 (downward)	1.7N or less	2.0N or less	1.7N or less	2.0N or less
Number of sliding times (proven in our endurance test)	6.5 million or more			
Protection class (excluding connector section)	IP64			

*1 When used with Ono Sokki's Gauge Counter. The value within parentheses () is the maximum spindle velocity used with the DG-4140/4190/5100.

*2 An attachment may not return completely if it is facing upwards.

● Electrical specification

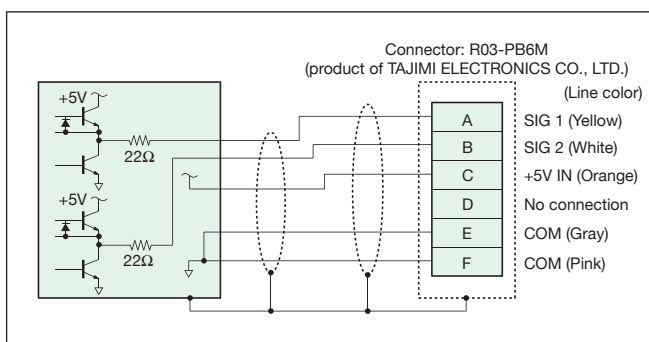
Item	GS-1713	GS-1730	GS-1813	GS-1830
Power requirement	4.5 to 5.5V DC			
Power consumption (when 5V DC)	120mA or less			
Signal output (when 5V DC)	Two-phase square wave Phase difference: 90° ±20° Output voltage: Hi=4.5V or more, Lo=0.4V or less			
Output impedance	Approx. 22Ω			

● General specification

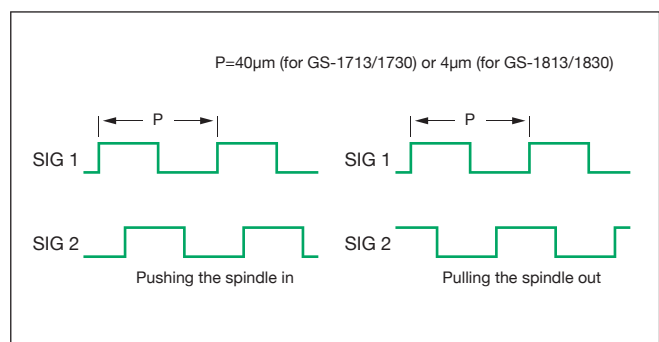
Operating temperature range	0 to +40°C
Storage temperature range	-10 to +55°C (with no condensation)
Cable length	Approx. 1.9m
Weight	GS-1713/1813: approx. 250g, GS-1730/1830: approx. 310g

Output specification

Pin arrangement of output connector and output circuit



Output signal

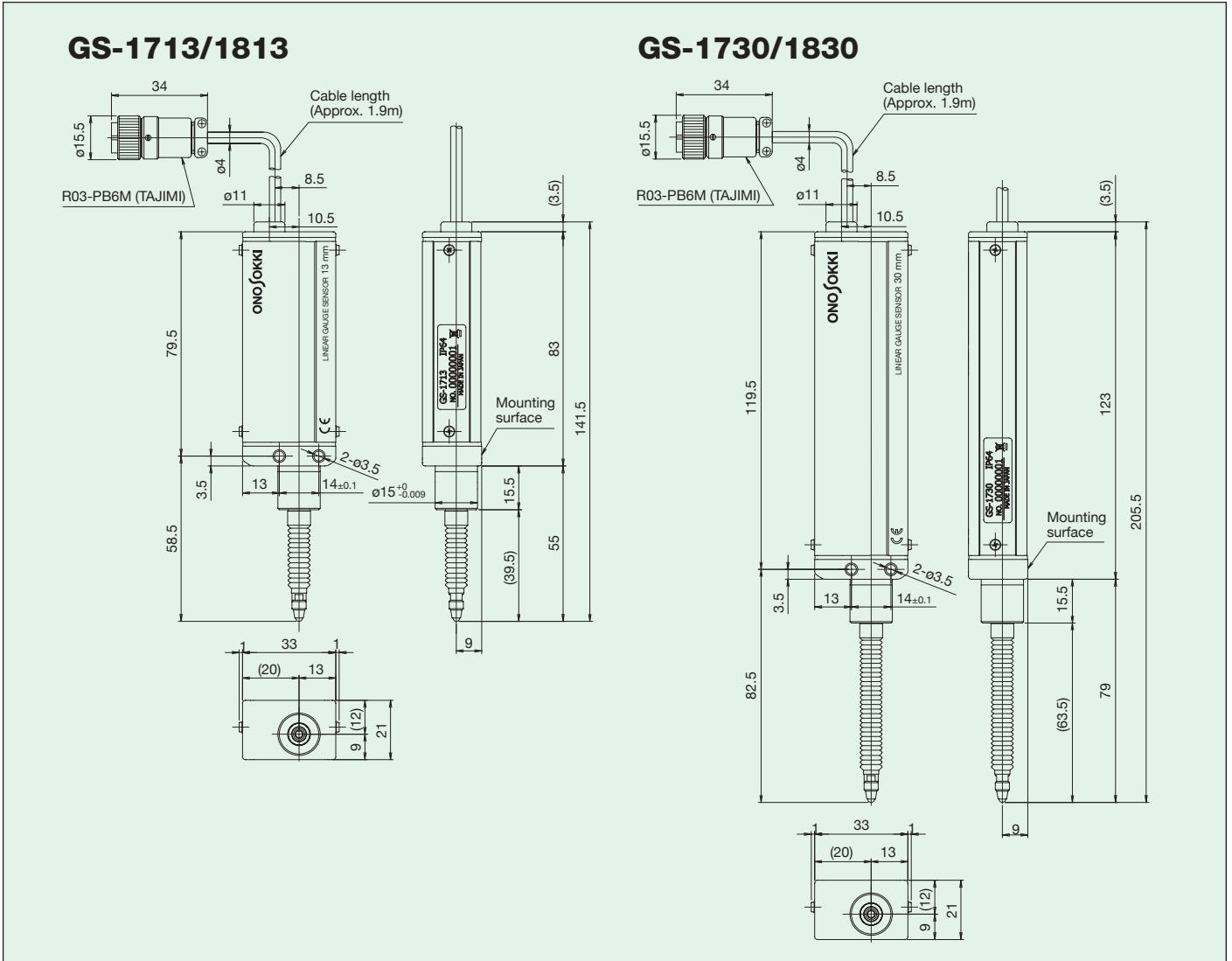


Extension cable (option)

Model name	Product name	Cable length	Applicable sensor	Connector	Shape	Connector	Applicable counter	Recital
AA-8801	Extension signal cable	5m	BS/GS series	R03-JB6F (TAJIMI ELECTRONICS CO., LTD.)		R03-PB6M (TAJIMI ELECTRONICS CO., LTD.)	DG series counters for Linear gauge sensors	Can be extended up to 30m from sensor.
AA-8802		10m						
AA-8803		20m						
AA-8804		30m						

Outer Dimension

(Unit: mm)

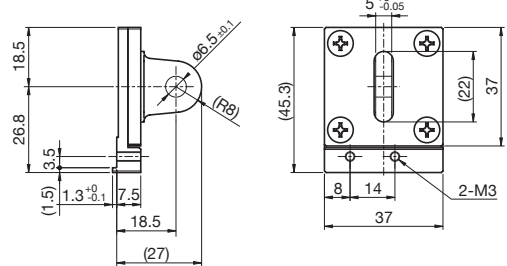


Options (sold separately)

Finger lifter	AA-969
Gauge stand	ST-0230
Spare dust bellow	AA-4102 (13mm), AA-4103 (30mm)
Extension spindle	AA-844 (30mm), AA-845 (50mm)
Lug Back	AA-3310
Extension cable	AA-8801 (5m), AA-8802 (10m), AA-8803 (20m), AA-8804 (30m)

We also offer several other accessories not listed in this catalogue. For details, please contact your nearest distributor or send an e-mail to us; overseas@onosokki.co.jp.

AA-3310



ONOSOKKI

• Outer appearance and specifications are subject to change without prior notice.

URL: <http://www.onosokki.co.jp/English/english.htm>

U.S.A
Ono Sokki Technology Inc.
2171 Executive Drive, Suite 400
Addison, IL. 60101, U.S.A
Phone : +1-630-627-9700
Fax : +1-630-627-0004
E-mail : info@onosokki.net
<http://www.onosokki.net>

THAILAND
Ono Sokki (Thailand) Co., Ltd.
29/67 Moo 5 Tivanon Road, Pakkred,
Nonthaburi 11120, Thailand
Phone : +66-2-964-3884
Fax : +66-2-964-3887
E-mail : osth_sales@onosokki.co.jp

P.R.CHINA
Ono Sokki Beijing Office
Beijing Jing Guang Center 3510
Hu Jia Lou, Chao Yang Qu
Beijing 100020, P.R.China
Phone : +86-10-6597-3113
Fax : +86-10-6597-3114
E-mail : onosokki@bbn.cn

WORLDWIDE
Ono Sokki Co., Ltd.
3-9-3 Shin-Yokohama, Kohoku-ku,
Yokohama 222-8507, Japan
Phone : +81-45-476-9712
Fax : +81-45-470-7244
E-mail : overseas@onosokki.co.jp