

ABSOLUTE Inside Caliper

SERIES 573, 536 — Knife-edge/Inside Groove/Point Jaw Type

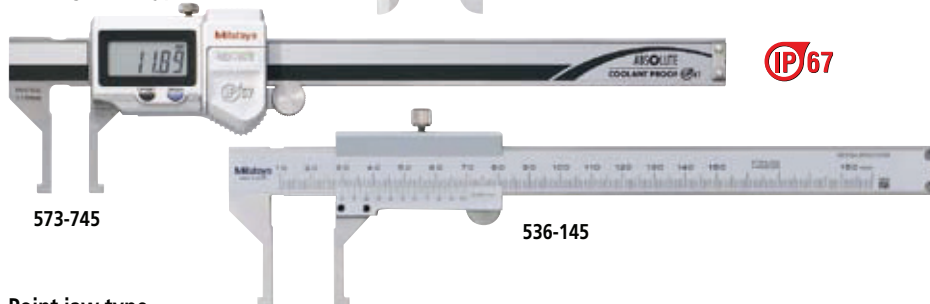
FEATURES

- Specially designed for inside measurements in hard-to-reach places.
- SPC data output (Series 573).

Knife-edge type



Inside groove type



Point jaw type



SPECIFICATIONS

Metric		Digital model	
Range	Order No.	Accuracy	Remarks
10 - 200mm	573-642	±0.05mm	Knife-edge type, Measurable min. hole diameter: ø10mm
10 - 200mm	573-643*	±0.05mm	Knife-edge type, Measurable min. hole diameter: ø10mm
10 - 160mm	573-645	±0.05mm	Inside groove type, Measurable min. hole diameter: ø10mm
10 - 160mm	573-647*	±0.05mm	Inside groove type, Measurable min. hole diameter: ø10mm
20 - 170mm	573-646	±0.03mm	Point jaw type, Measurable min. hole diameter: ø20mm
20 - 170mm	573-648*	±0.03mm	Point jaw type, Measurable min. hole diameter: ø20mm

*without thumb roller

Inch/Metric		Digital model	
Range	Order No.	Accuracy	Remarks
.4" - 8"	573-742	±.002"	Knife-edge type, Measurable min. hole diameter: ø.4"
.4" - 6"	573-745	±.002"	Inside groove type, Measurable min. hole diameter: ø.4"
.8" - 6"	573-746	±.0015"	Point jaw type, Measurable min. hole diameter: ø.8"

Metric		Analog model	
Range	Order No.	Accuracy	Remarks
10 - 200mm	536-142	±0.12mm	Knife-edge type, Measurable min. hole diameter: ø10mm
10 - 150mm	536-145	±0.05mm	Inside groove type, Measurable min. hole diameter: ø10mm
20 - 150mm	536-146	±0.05mm	Point jaw type, Measurable min. hole diameter: ø20mm
30 - 300mm	536-147	±0.08mm	Point jaw type, Measurable min. hole diameter: ø30mm
70 - 450mm	536-148	±0.10mm	Point jaw type, Measurable min. hole diameter: ø70mm
70 - 600mm	536-149	±0.12mm	Point jaw type, Measurable min. hole diameter: ø70mm



(Refer to page VIII for details.)



(Refer to page VIII for details.)

Technical Data

Accuracy: Refer to the list of specifications. (excluding quantizing error for digital models)
 Resolution*: 0.01mm or .0005"/0.01mm
 Graduation**: 0.05mm
 Display*: LCD
 Scale type*: ABSOLUTE electromagnetic linear encoder
 Max. response speed*: Unlimited
 Battery*: SR44 (1 pc.), 938882
 Battery life*: Approx. 3 years under normal use
 Dust/Water protection level*: IP67

*Digital models **Analog models

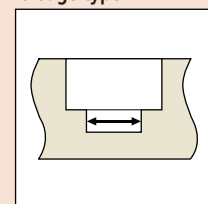
Functions of Digital Model

Origin-set, Zero-setting, Automatic power on/off, Data output, inch/mm conversion (inch/mm models)
 Alarm: Low voltage, Counting value composition error

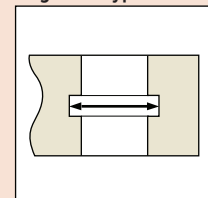
Optional Accessories for Digital Model

- 05CZA624: SPC cable with data switch (1m)
- 05CZA625: SPC cable with data switch (2m)
- 02AZD790A: SPC cable for U-WAVE w/ data switch (160mm)

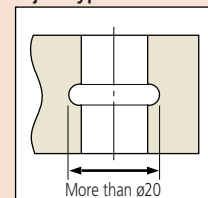
Knife-edge type



Inside groove type



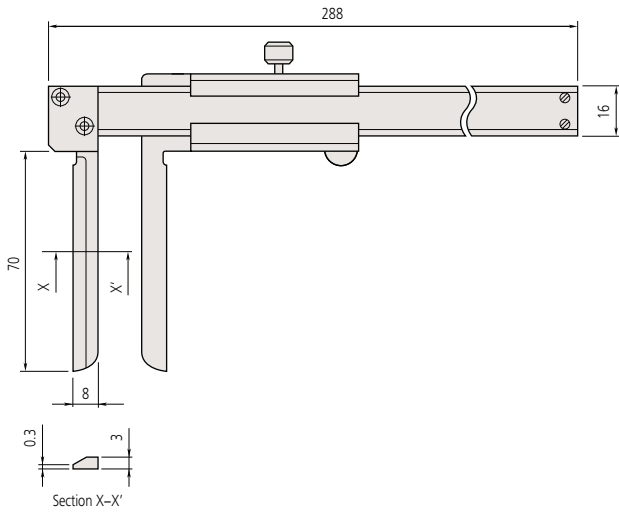
Point jaw type



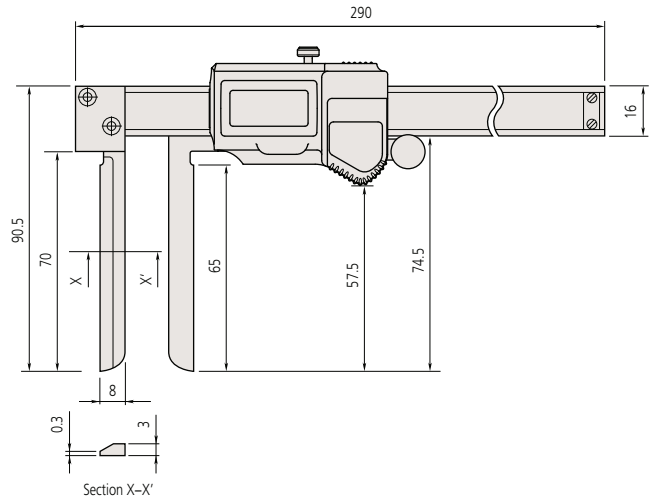
DIMENSIONS

Unit: mm

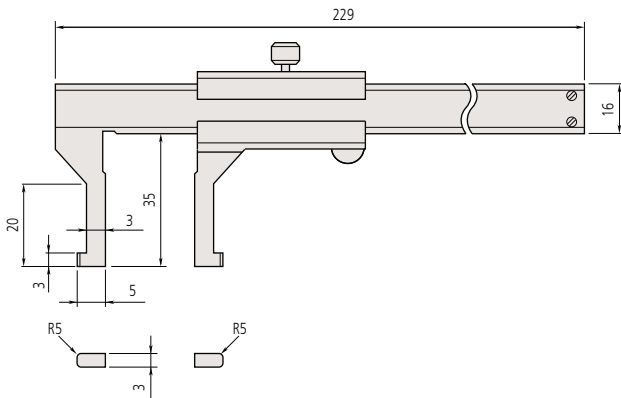
Knife-edge type: 536-142



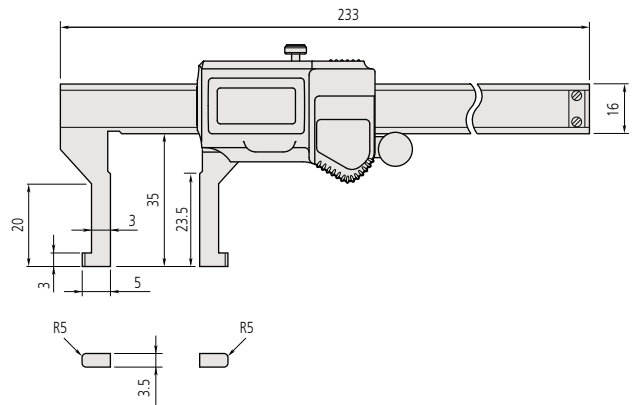
Knife-edge type: 573-642, 643, 742



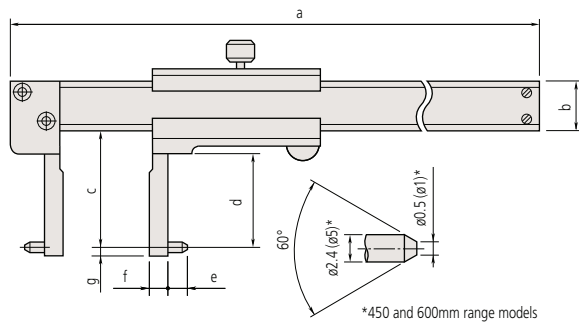
Inside groove type: 536-145



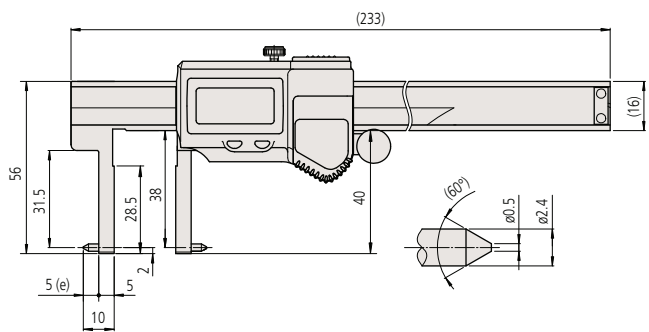
Inside groove type: 573-645, 647, 745



Point jaw type: 536-146, 147, 148, 149



Point jaw type: 573-646, 648, 746



Range	a	b	c	d	e	f	g
150mm	229	16	38	31	5	5	2
300mm	403	20	98	89	5	10	2
450mm	610	25	145	136	10	25	5
600mm	750	25	145	136	10	25	5