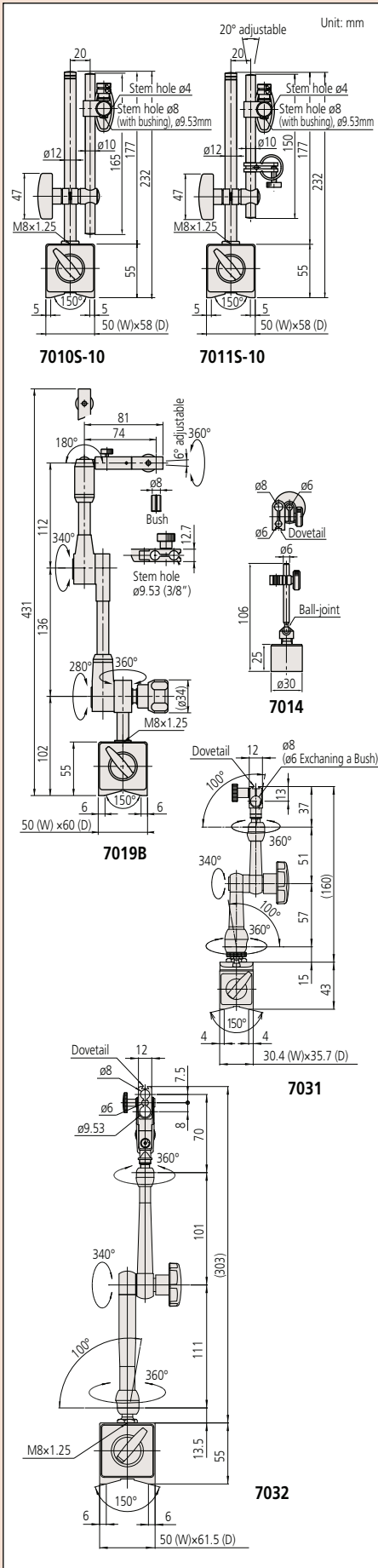


Magnetic Stands

SERIES 7

DIMENSIONS



Mitutoyo's Magnetic Stands accept all dial indicators and dial test indicators. The ON-OFF switch offers instant mounting and dismounting without any adverse effect on the indicators or workpiece surface.



SPECIFICATIONS

Order No.	Description	Applicable holding stem dia.	Dovetail groove	Remarks
7010S-10	Magnetic stand	$\phi 4\text{mm}$, $\phi 8\text{mm}$, $\phi 9.53\text{mm}$ (3/8")	—	—
7011S-10	Magnetic stand	$\phi 4\text{mm}$, $\phi 8\text{mm}$, $\phi 9.53\text{mm}$ (3/8")	—	With fine adjustment
7014	Mini magnetic stand	$\phi 6\text{mm}$, $\phi 8\text{mm}$	Provided	Without magnet ON/OFF
7014E	Mini magnetic stand	$\phi 4\text{mm}$, $\phi 9.5\text{mm}$	Provided	Without magnet ON/OFF
7019B	Universal magnetic stand	$\phi 8\text{mm}$, $\phi 9.53\text{mm}$ (3/8")	Provided	With hydraulic position lock
7031	Universal magnetic stand	$\phi 6$, $\phi 8\text{mm}$	Provided	With mechanical locking system
7032	Universal magnetic stand	$\phi 6$, $\phi 8\text{mm}$, $\phi 9.53\text{mm}$ (3/8")	Provided	With mechanical locking system