

Dial Gage Stands

SERIES 7

Dial Gage Stands are designed for comparison measurements of size using a dial indicator or Digimatic Indicator.

FEATURES

- Vertical travel of the gage holder — Dial Gage Stand: 95mm (7007-10: 90mm), Transfer Stand: 320mm
- Fine-adjustment of 1mm is provided for zero-setting the indicator.
- With interchangeable anvil. Domed anvil (**101463**) is optional.



7001-10
with $\varnothing 58$ mm serrated anvil



7002-10
with $\varnothing 58$ mm flat anvil



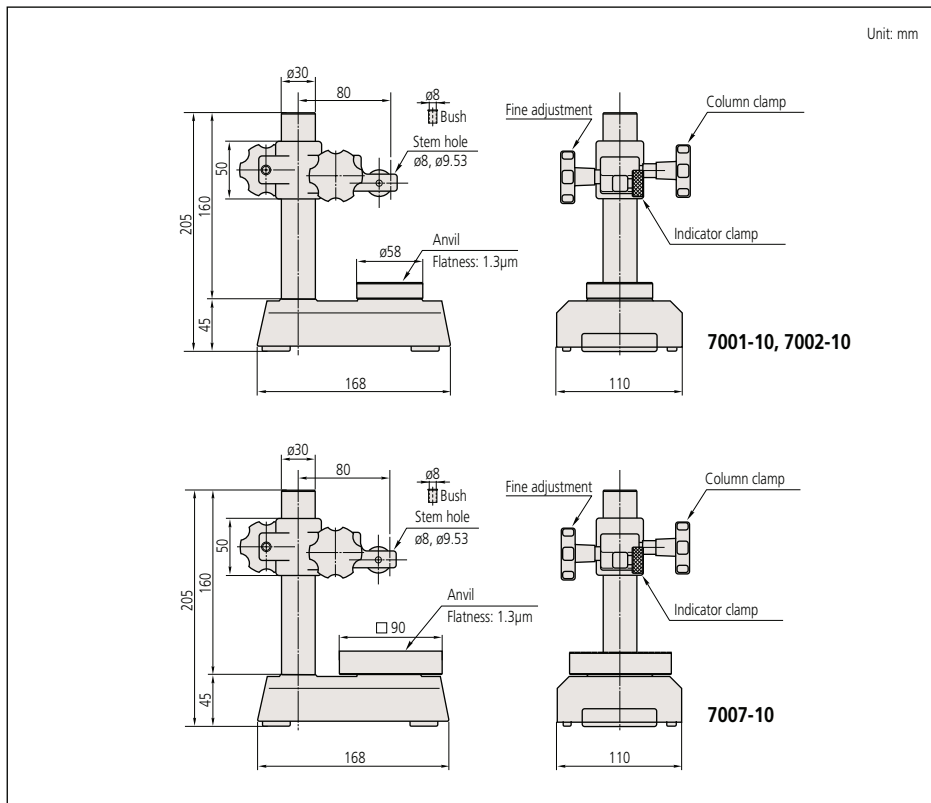
7007-10
90mm square anvil

SPECIFICATIONS

Metric

Order No.	Stem hole	Remarks
7001-10	$\varnothing 8$ mm, $\varnothing 9.53$ mm	With serrated anvil
7002-10	$\varnothing 8$ mm, $\varnothing 9.53$ mm	With flat anvil
7007-10	$\varnothing 8$ mm, $\varnothing 9.53$ mm	With square anvil

DIMENSIONS



Optional Accessories

- 101461**: Hardened steel flat anvil
- 101462**: Hardened steel serrated anvil
- 101463**: Hardened steel domed anvil*

*Not available for 7007-10

